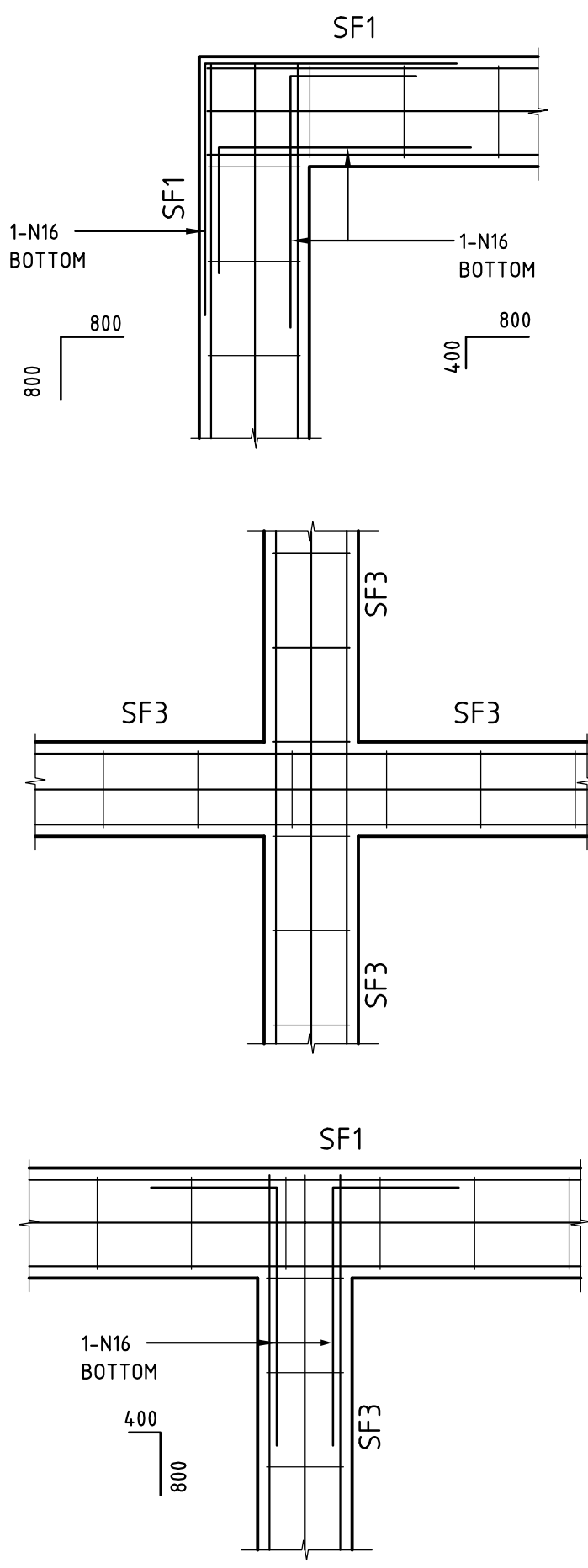


FOOTING & GROUND SLAB PLANS 1:100

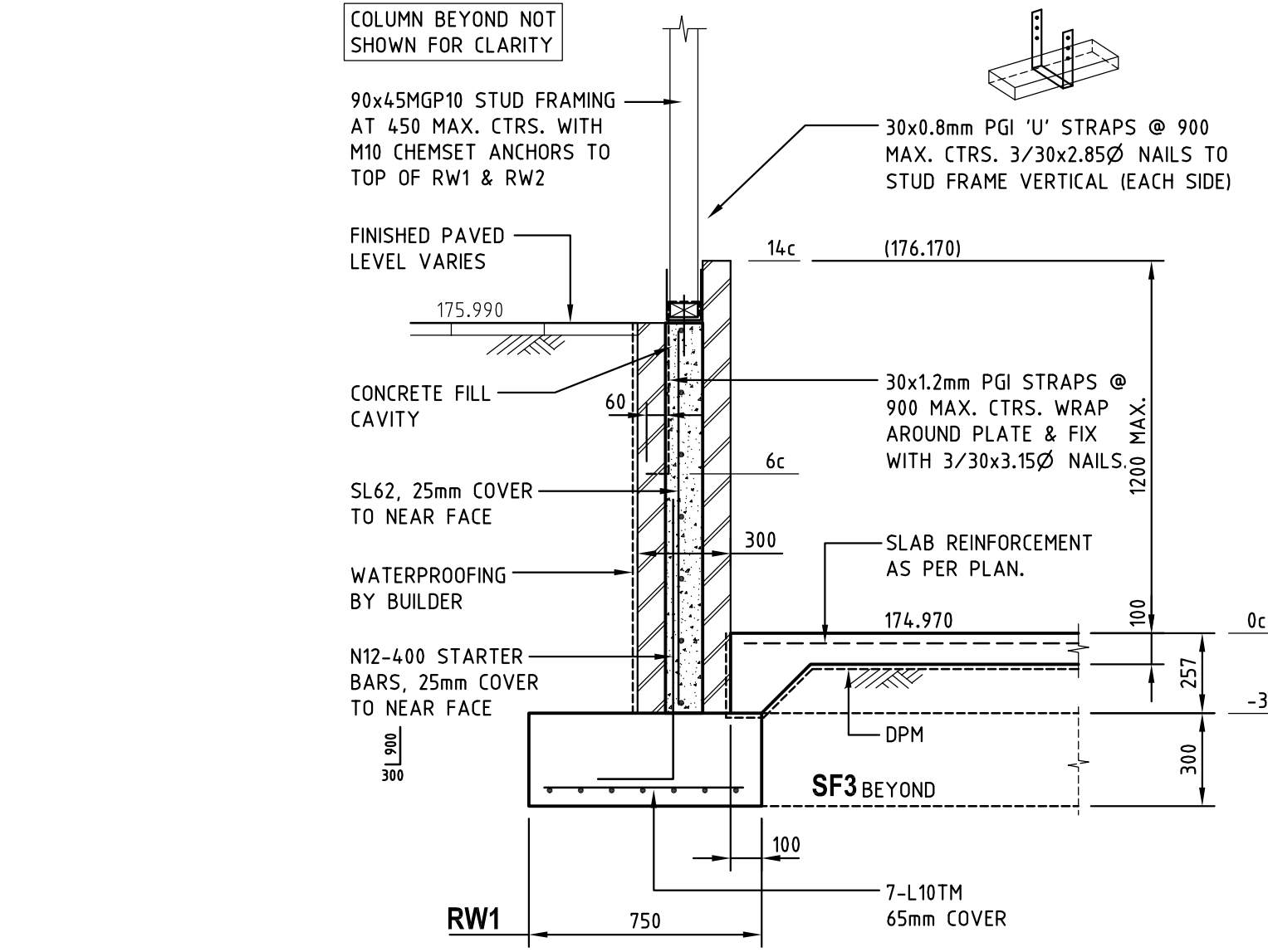
- SLAB THICKNESS & REINFORCEMENT AS NOTED ON PLAN.
- WET AREAS SET DOWN 40mm FOR TILING AND FALLS. MAINTAIN 100mm SLAB THICKNESS (SHOWN SHADED).
- RE-ENTRANT REINFORCEMENT : 2-N16 x 1500 LONG TIED UNDER SLAB FABRIC AT ALL RE-ENTRANT CORNERS.
- TOP OF ALL FOOTINGS TO BE SET 257mm (3c) MINIMUM BELOW FINISHED FLOOR LEVEL, U.N.O
- SITE CLASSIFICATION : **CLASS "M"** IN ACCORDANCE WITH PREVIOUS GEOTECHNICAL REPORT PREPARED BY UTS SOILTEC. FOR THE 2010 CONSTRUCTION.
- ALL STEELWORK TO BE HOT DIPPED GALVANISED IN ACCORDANCE WITH ARCHITECTURAL DRAWINGS.
- FOR GENERAL NOTES REFER TO COVER SHEET 2021-217-S1-0
- BCJ - INDICATES CONTROL JOINT IN BRICKWORK

FOOTING SCHEDULE		
MARK	SIZE	REINFORCEMENT
SF1	400 WIDE x 300 DEEP	3-L10TM BOTTOM
SF2	400 WIDE x 300 DEEP	3-L10TM BOTTOM
SF3	325 WIDE x 300 DEEP	3-L10TM BOTTOM
RW1	750 WIDE x 300 DEEP	7-L10TM BOTTOM
RW2	600 WIDE x 300 DEEP	5-L10TM BOTTOM
EPF	EXISTING PAD FOOTING	
ESF	EXISTIG STRIP FOOTING	

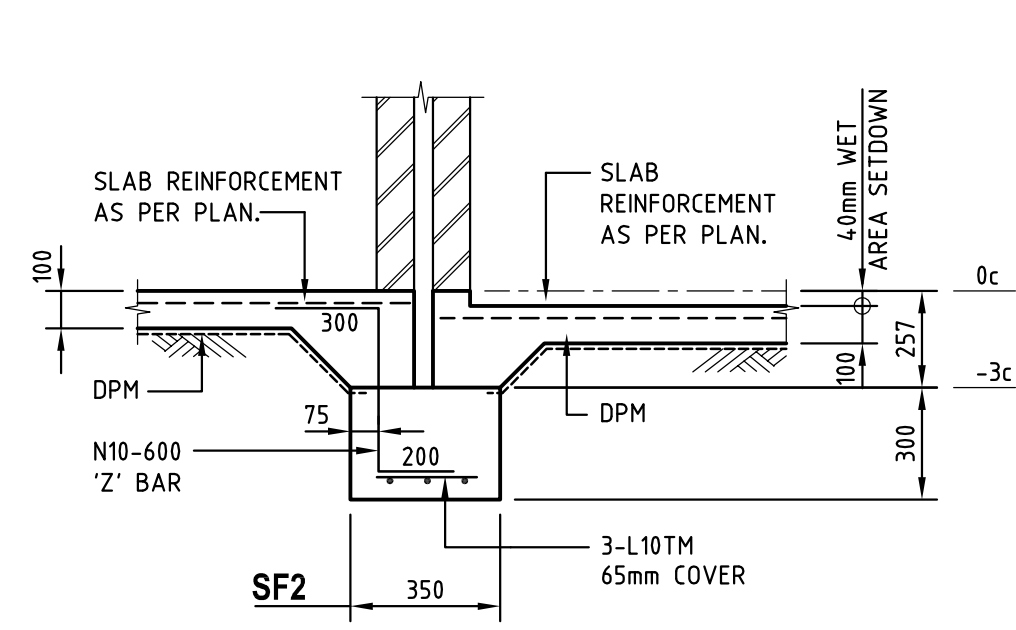
COLUMN SCHEDULE (ALL GALVANISED)			
COL. No.	SIZE	BASE PLATE	BOLTING
C1	89 x 89 x 5.0 SHS	250 x 100 x 10mm	1-M16 'U' BOLT ON 25mm GROUT
C2	89 x 89 x 3.5 SHS	225 x 100 x 10mm	1-M16 'U' BOLT ON 25mm GROUT
C3	100 x 50 x 4.0 RHS	200 x 125 x 10mm	2-M16 MASONRY ANCHORS ON 25mm GROUT
EC	EXISTING COLUMN (SIZE TO BE CONFIRMED ON SITE)		



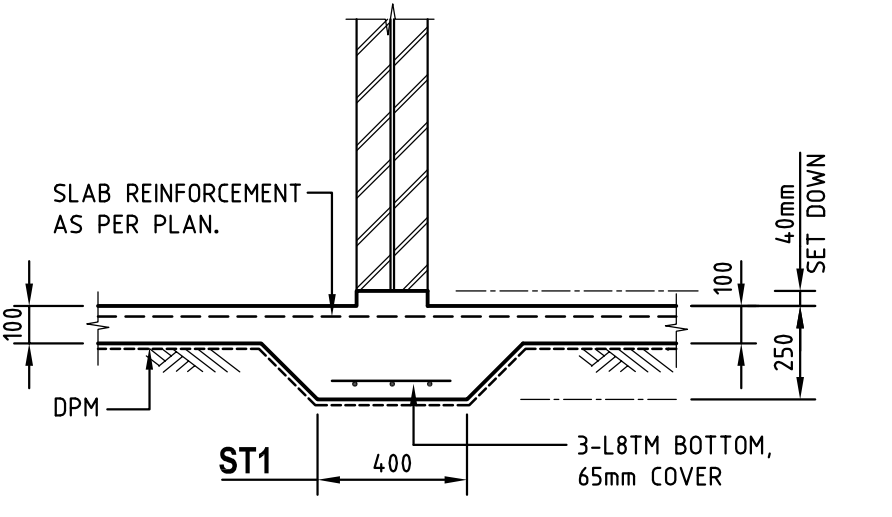
TYPICAL FOOTING DETAILS AT INTERSECTIONS



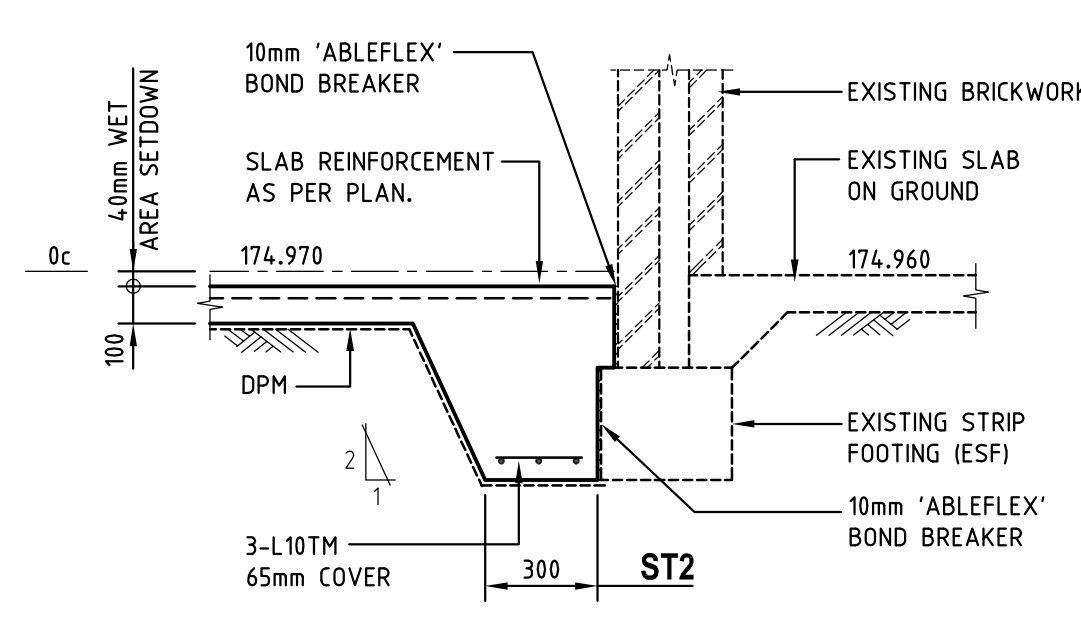
SECTION F4 1:20
RW1 C-S1-1



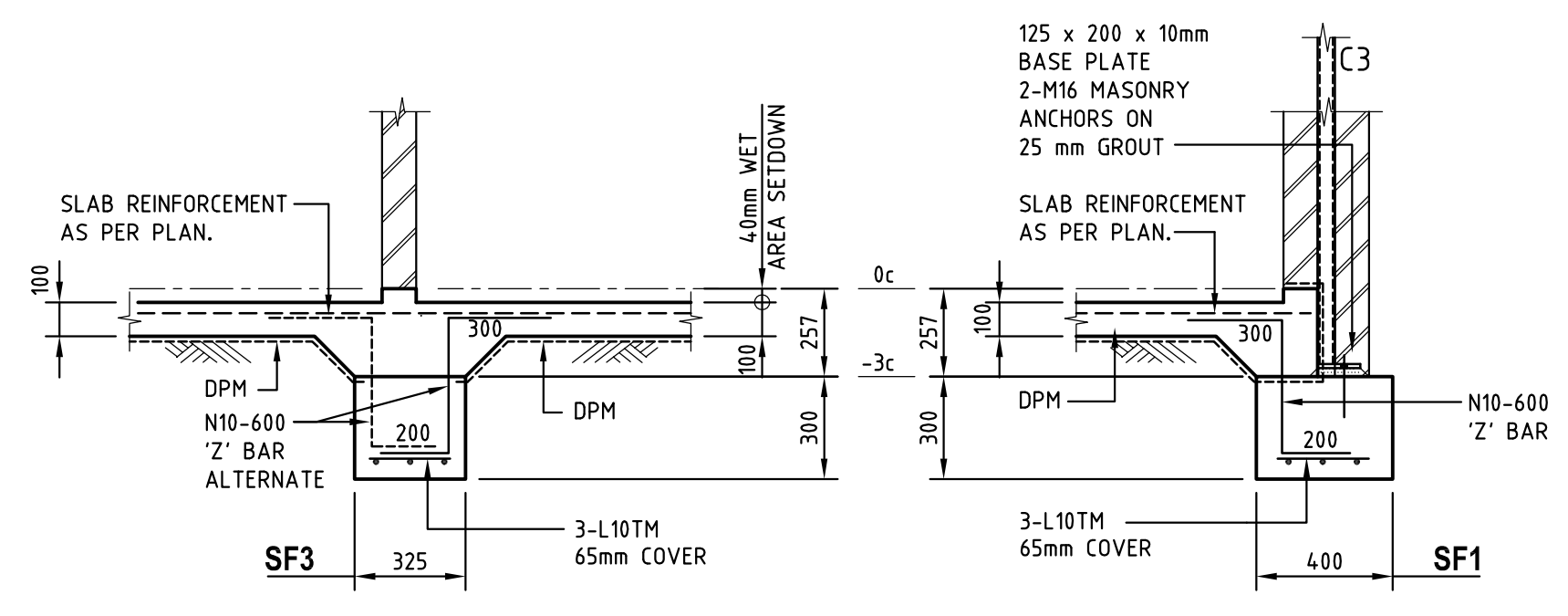
SECTION F5 1:20
SF2 C-S1-1



SECTION F6 1:20
ST1 C-S1-1



SECTION F7 1:20
ST2 & ESF C-S1-1



SECTION F8 1:20
SF1, C2 & SF3 C-S1-1

SITE CLASSIFICATION: **CLASS 'M'**

REV	DATE	CHD	DESCRIPTION
A	04-10-2021	GM	ISSUED FOR DESIGN DEVELOPMENT REVIEW

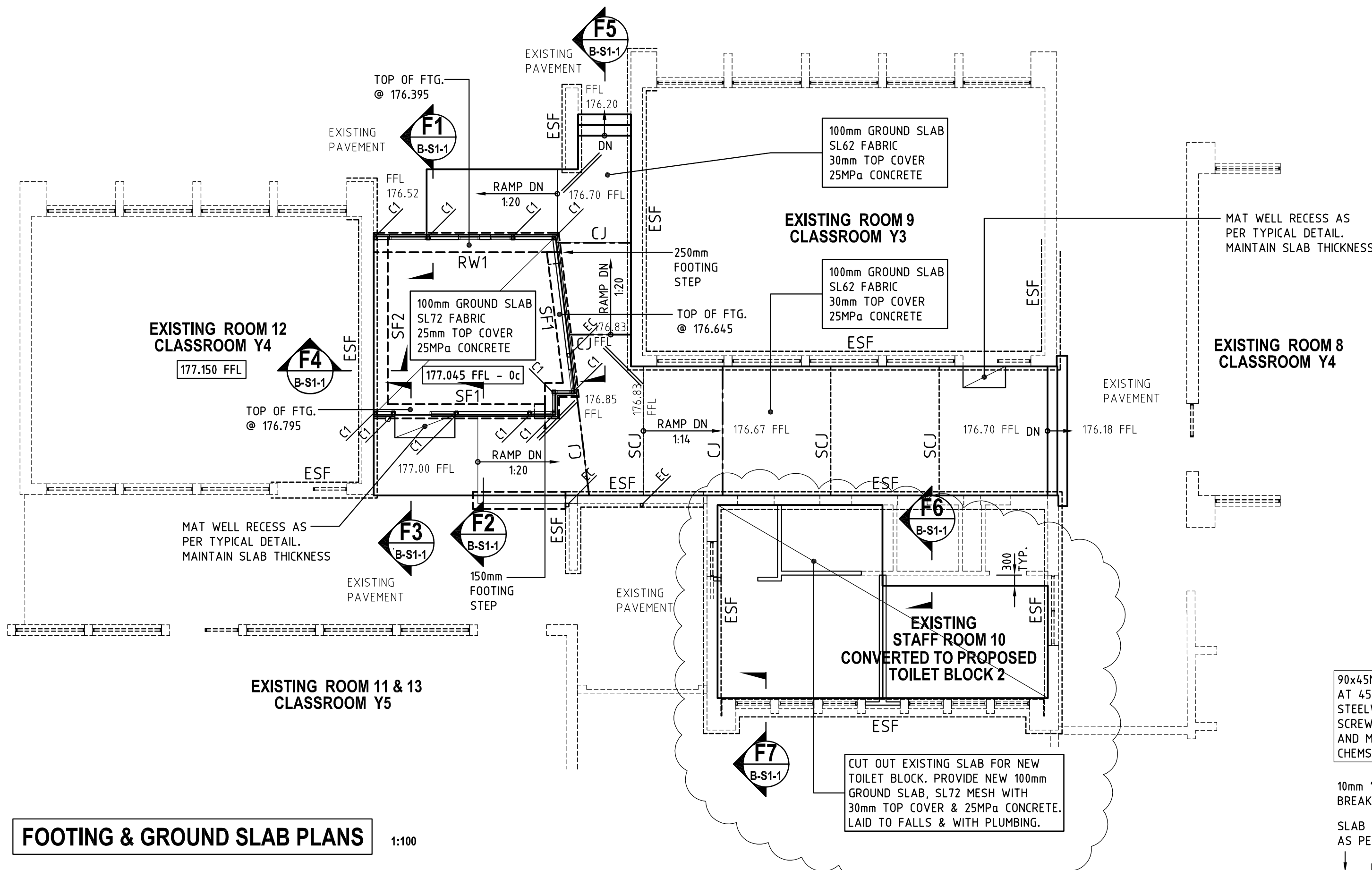
MAROCCHI
engineering group
Suite 3, 158 Newcastle Street, Perth W.A. 6000
Tel. (08) 9328 5700

PROJECT
PROPOSED ADDITIONS - STAGE 12
ST JOSEPH'S SCHOOL - PRIMARY CAMPUS
1 LANCE STREET, NORTHAM W.A.

SHEET
FOOTING & GROUND SLAB PLANS & DETAILS
- SHEET No. 1 (CLASSROOM & TOILET BLOCK 1)

SIGNED
Gary Marocchi
MIE Aust CPEng
Chartered Professional Engineer
Membership No. 220978

DRAWN S.K.T. SCALE 1:100, 1:20 @ A1
DESIGNED G.M. DRG No. 2021-217A-S1-1
CHECKED G.M. REV A

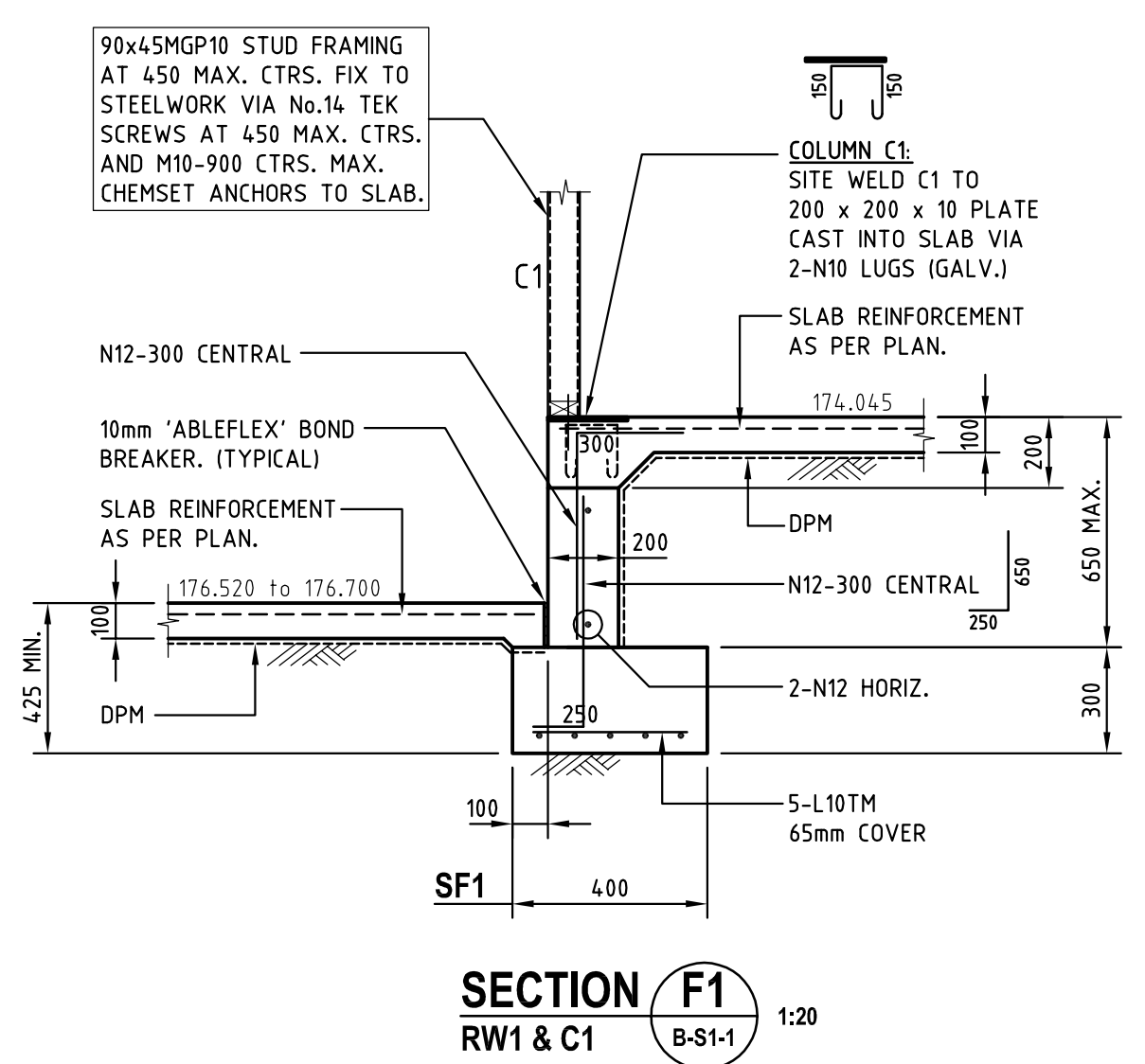


FOOTING & GROUND SLAB PLANS 1:100

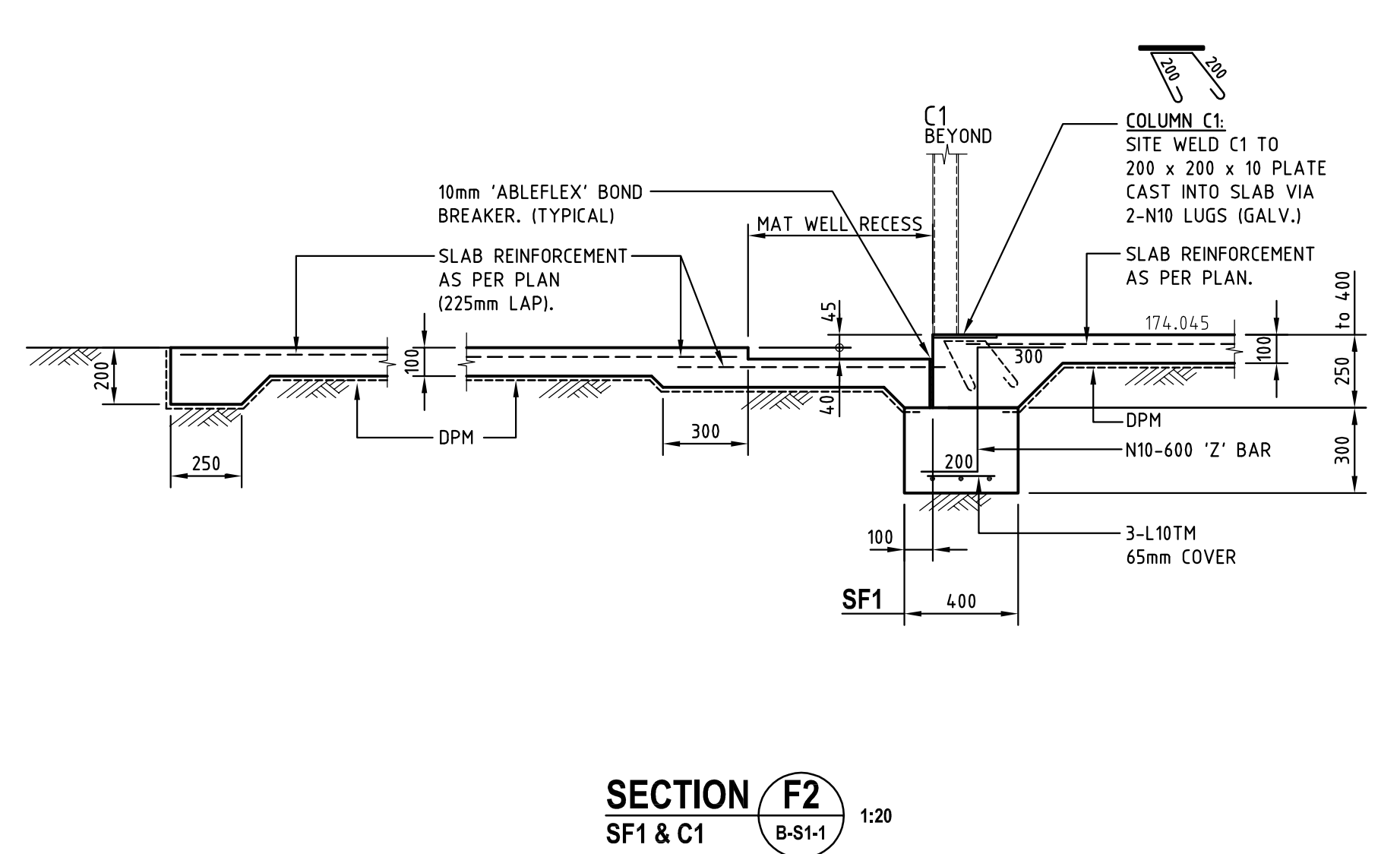
- SLAB THICKNESS & REINFORCEMENT AS NOTED ON PLAN.
- RE-ENTRANT REINFORCEMENT : 2-N16 x 1500 LONG TIED UNDER SLAB FABRIC AT ALL RE-ENTRANT CORNERS.
- TOP OF ALL FOOTINGS TO BE SET DOWN BELOW FINISHED FLOOR LEVEL, AS PER DETAILS.
- SITE CLASSIFICATION : **CLASS "M"** IN ACCORDANCE WITH PREVIOUS GEOTECHNICAL REPORT PREPARED BY UTS SOILTEC. FOR THE 2010 CONSTRUCTION.
- ALL STEELWORK TO BE HOT DIPPED GALVANISED IN ACCORDANCE WITH ARCHITECTURAL DRAWINGS.
- FOR GENERAL NOTES REFER TO COVER SHEET 2021-217-S1-0
- ALL GROUND PREPARATION TO BE IN ACCORDANCE WITH THE GEOTECHNICAL REPORT.
 - REMOVE ALL GRASS AND SCRUB COVER IN LOCATION OF CLASSROOM BLOCKS.
 - PROOF ROLL SURFACE AND REMOVE ANY LOOSE SPOTS.
 - PROVIDE CLEAN COMPACTED SAND FILL TO RL 156.736 THIS RESULTS IN A SAND PAD OF APPROX. 1200mm BELOW THE BUILDER.
 - DO NOT PLACE SAND PAD WHEN CLEARED SITE IS AFFECTED BY RAINFALL. SITE TO BE DRY WHEN SAND PAD IS COMPACTED.
 - ALL FOOTINGS TO BE FOUNDED IN THE CLEAN COMPACTED SAND FILL.

FOOTING SCHEDULE		
MARK	SIZE	REINFORCEMENT
SF1	400 WIDE x 300 DEEP	3-L10TM BOTTOM
SF2	300 WIDE x 300 DEEP	3-L10TM BOTTOM
SF3	300 WIDE x 300 DEEP	3-L10TM BOTTOM
RW1	550 WIDE x 300 DEEP	5-L10TM BOTTOM
EPF	EXISTING PAD FOOTING	
ESF	EXISTING STRIP FOOTING	

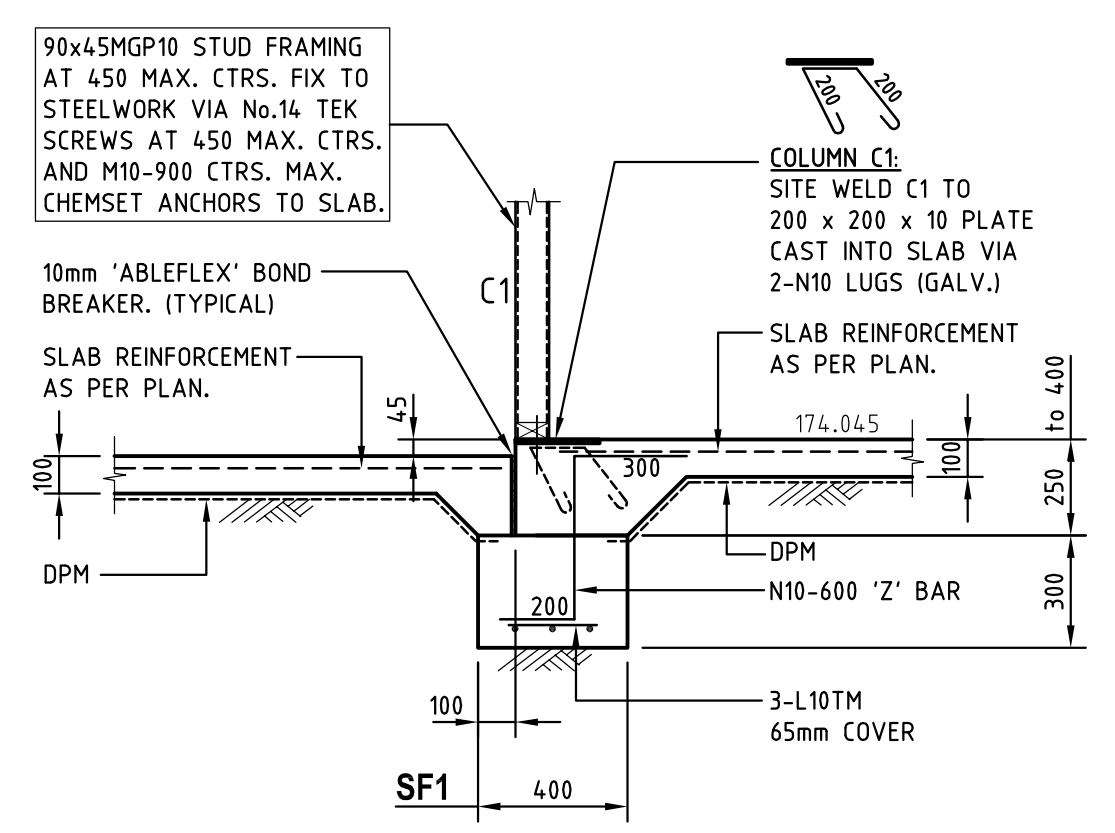
COLUMN SCHEDULE (ALL GALVANISED)		
COL. No.	SIZE	BASE PLATE
C1	89 x 89 x 3.5 SHS	F5BW TO 200 x 200 x 10 CAST IN PLATE WITH 2-N10 LUGS. REFER TO DETAILS FOR PROFILE
EC	EXISTING COLUMN (SIZE TO BE CONFIRMED ON SITE)	



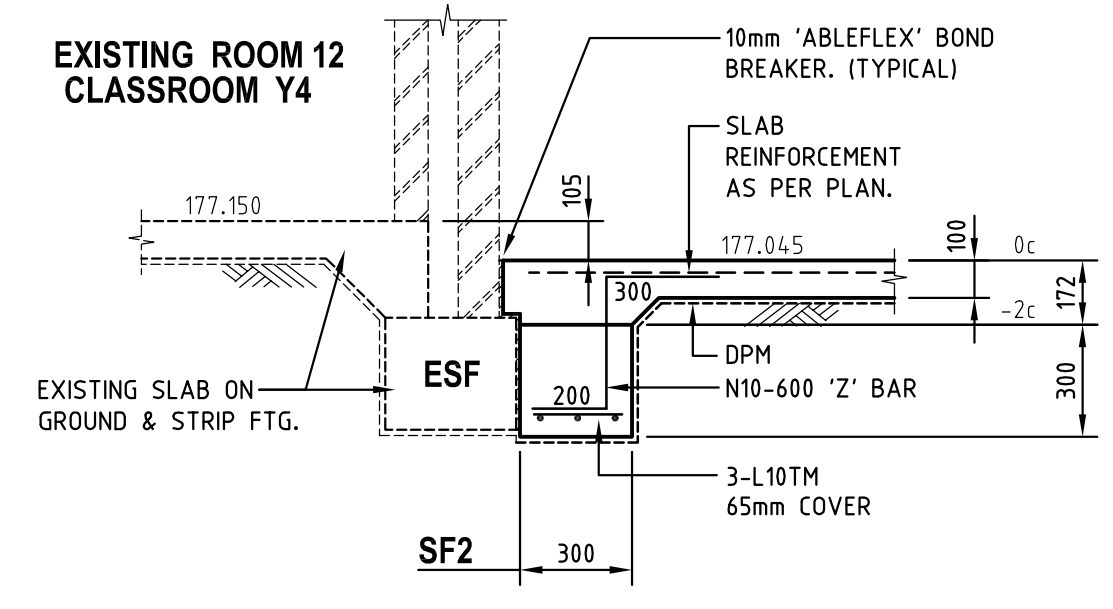
SECTION F1
RW1 & C1 1:20



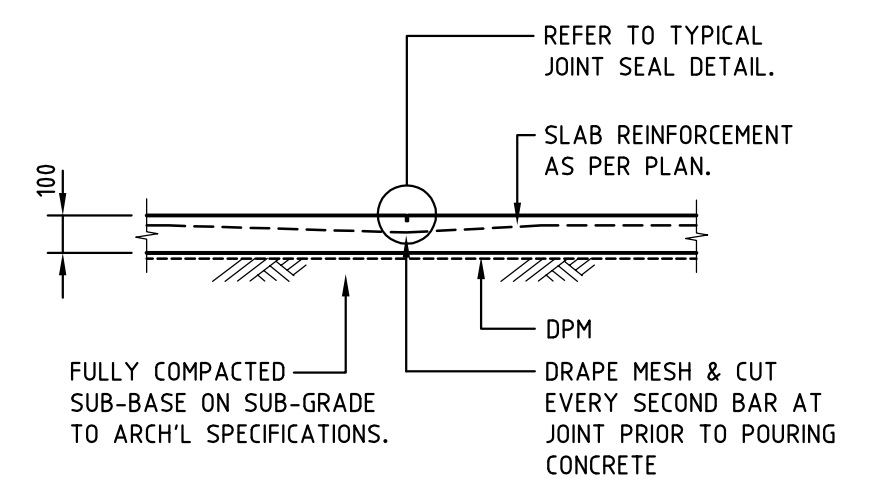
SECTION F2
SF1 & C1 1:20



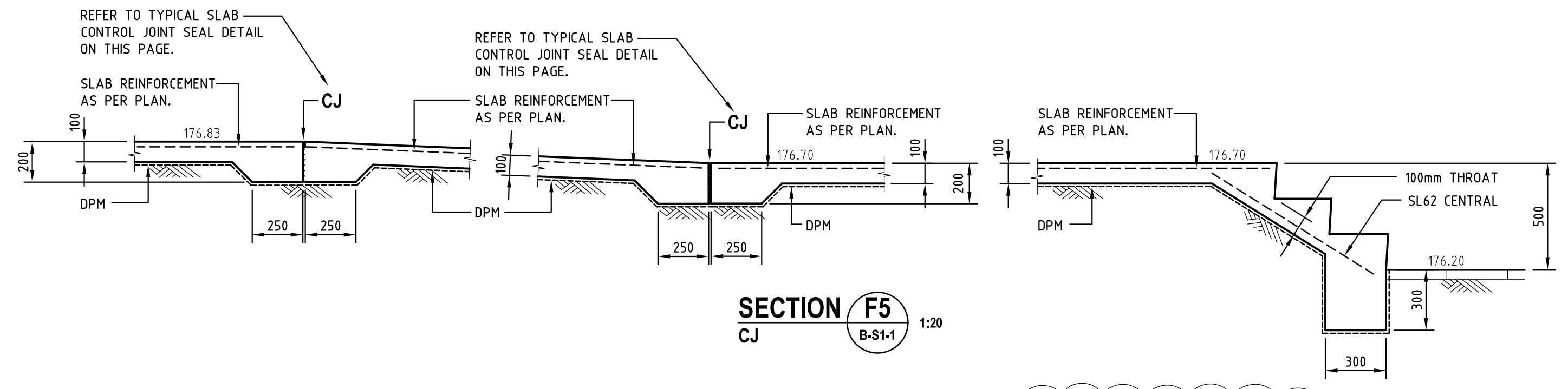
SECTION F3
SF2 & ESF 1:20



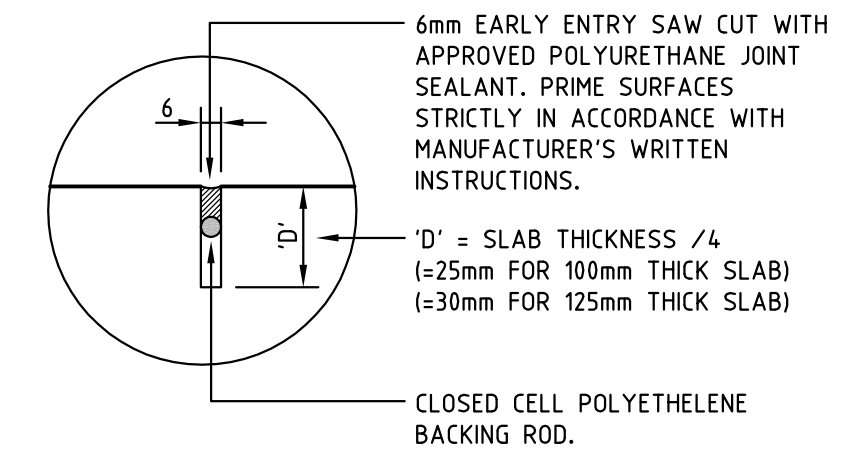
SECTION F4
SF2 & ESF 1:20



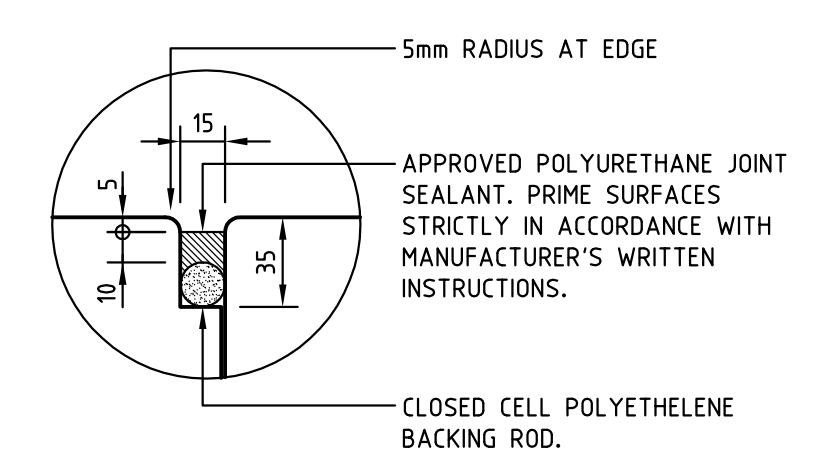
TYPICAL SAW CUT (SCJ) DETAIL
SCALE 1:20



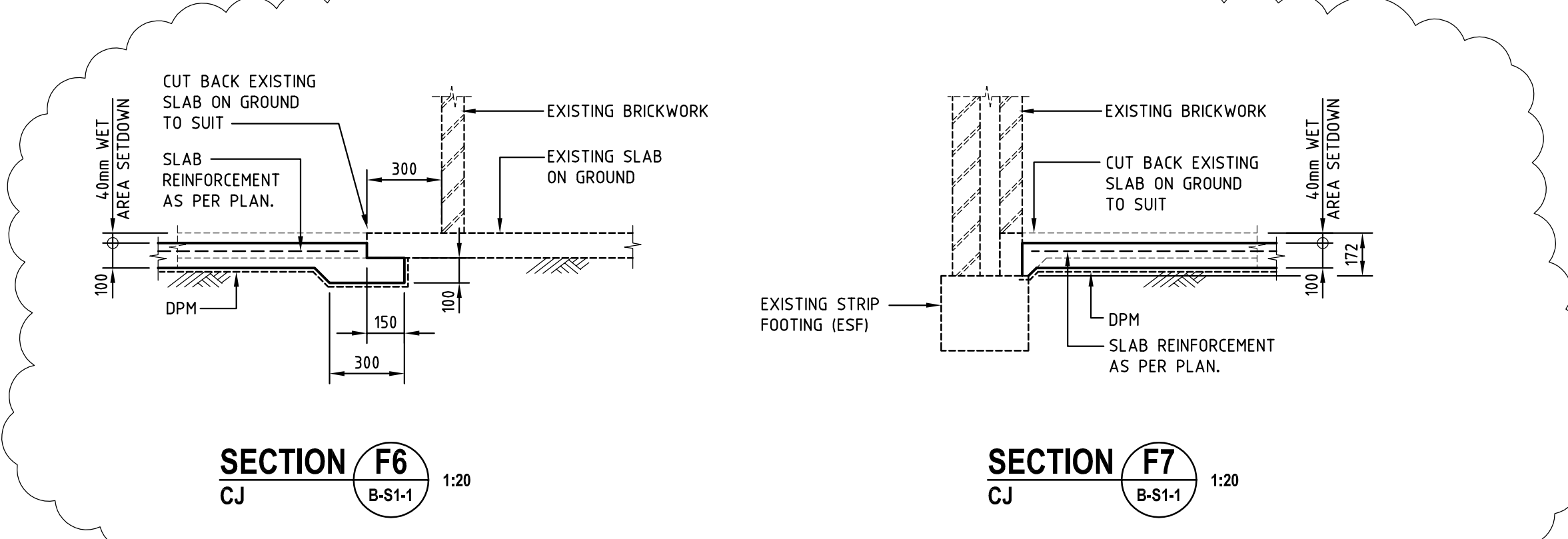
SECTION F5
CJ 1:20



TYPICAL SAW CUT (SCJ) SEAL DETAIL
N.T.S.



TYPICAL SLAB CONTROL JOINT (CJ) SEAL DETAIL
N.T.S.



SECTION F6
CJ 1:20

SECTION F7
CJ 1:20

SITE CLASSIFICATION: **CLASS "M"**

REV	DATE	CHD	DESCRIPTION
B	04-10-2021	GH	TOILET BLOCK NEW SLAB ADDED SHOWN CLOUDED
A	04-10-2021	GH	ISSUED FOR DESIGN DEVELOPMENT REVIEW

MAROCCHI
engineering group
Suite 3, 158 Newcastle Street, Perth W.A. 6000
Tel. (08) 9328 5700

PROJECT
PROPOSED SCHOOLS - STAGE 12
ST JOSEPH'S SCHOOL - PRIMARY CAMPUS
1 LANCE STREET, NORTHAM W.A.

SHEET
FOOTING & GROUND SLAB PLANS & DETAILS
- SHEET No. 1 (STAFF RESOURCE ROOM)

SIGNED
Gary Marocchi
MIEAust CP/Eng
Chartered Professional Engineer
Membership No. 220978

DRAWN S.K.T. SCALE 1:100, 1:20 @ A1
DESIGNED G.M. DRG No **2021-217B-S1-1** REV B
CHECKED G.M.