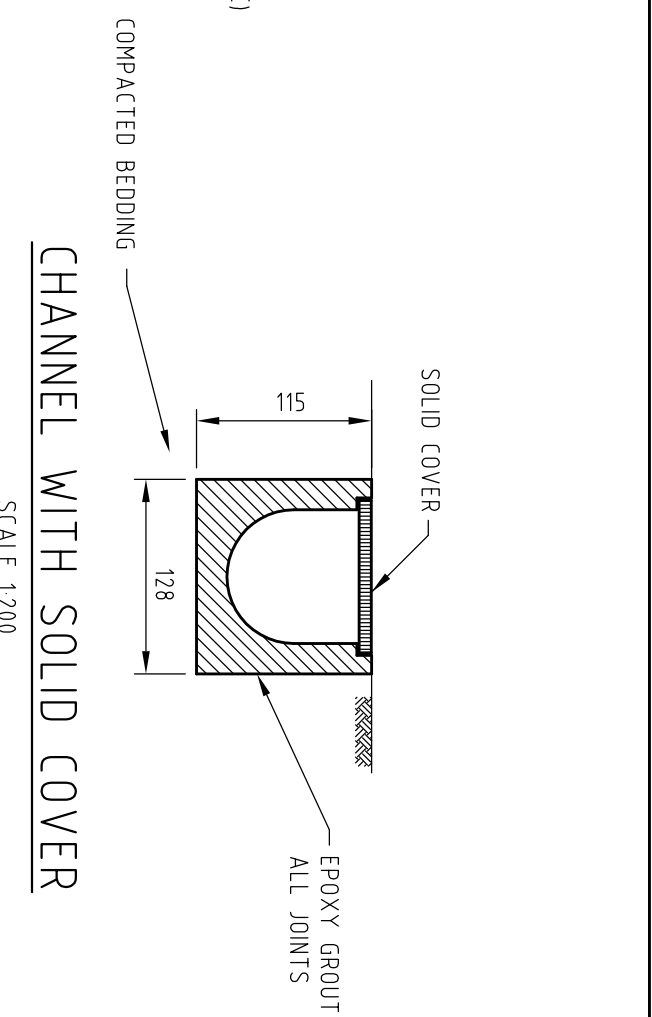
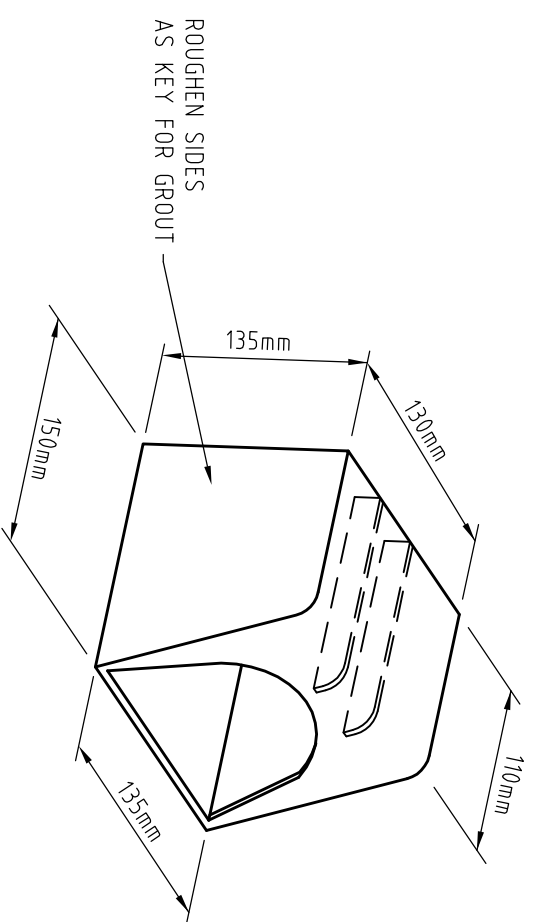


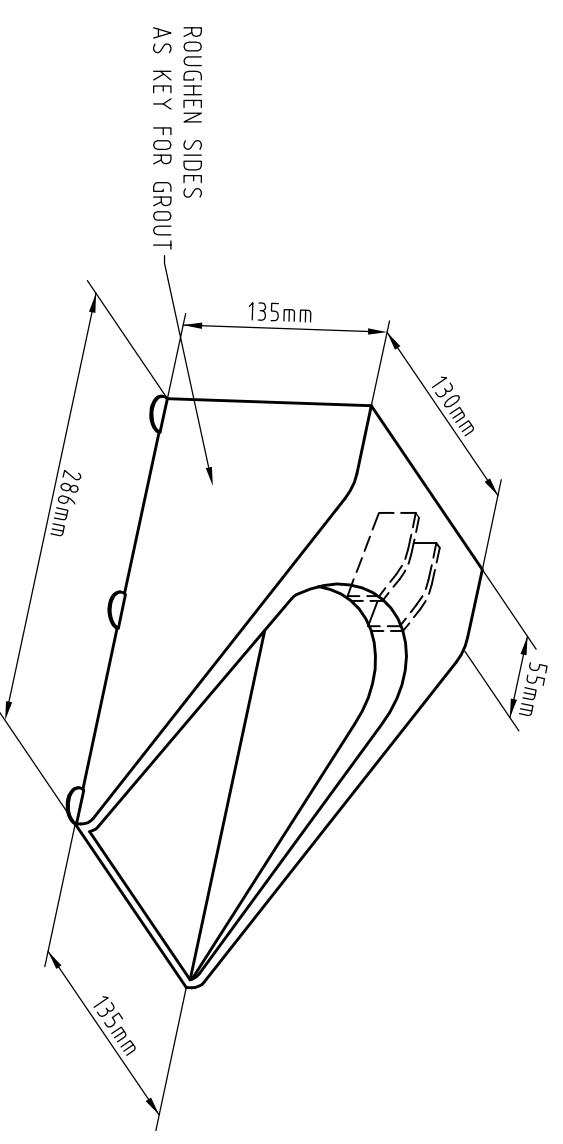
SECTION A-A
FRONT LOT CONNECTION PIT



CHANNEL WITH SOLID COVER
SCALE 1:200



TYPICAL UPRIGHT KERB ADAPTOR
SCALE 1:200



TYPICAL MOUNTABLE KERB ADAPTOR
SCALE 1:200

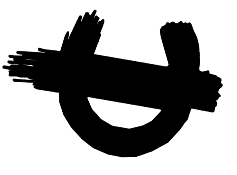
No.	DATE	REVISION	SCH	BY
B	5.10.98	MINOR TEXT CHANGES MADE	SCH	
A	13.5.98	PRELIMINARY PLOT FOR APPROVAL	SCH	

CLIENT: SHIRE OF NORTHAM

Level 2 Kishorn Court
58 Kishorn Road
Mt Pleasant 6153
Western Australia
PO Box 4036
Gaming Bridge 6153
Western Australia
Tel (08) 9315 9955
Fax (08) 9315 9959
Email porter@pqi.com.au

DRAWING: STANDARD DRAINAGE DETAILS
SHEET 2 OF 2

SCALE	NTS	DRAWING No.	REV No.
DATE	OCT 1998	97-6-442	/3 B
DESIGN	DEP	SHEET	OF
DRAWN	SCH		
CHECK		APPD	



David Porter
Consulting
Engineer

TUSNO Pty Ltd ABN 070 097 148 as trustee for the Consulting Engineering Unit Trust
Trading as David Porter Consulting Engineer

STATUS: